

FIG. 1

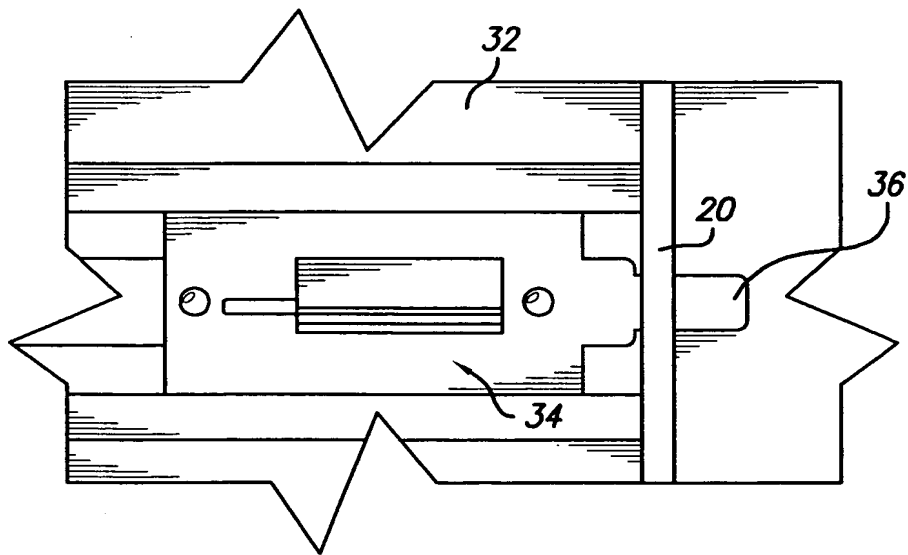


FIG. 2

O I P E JC61
SEP 30 2003
PATENT & TRADEMARK

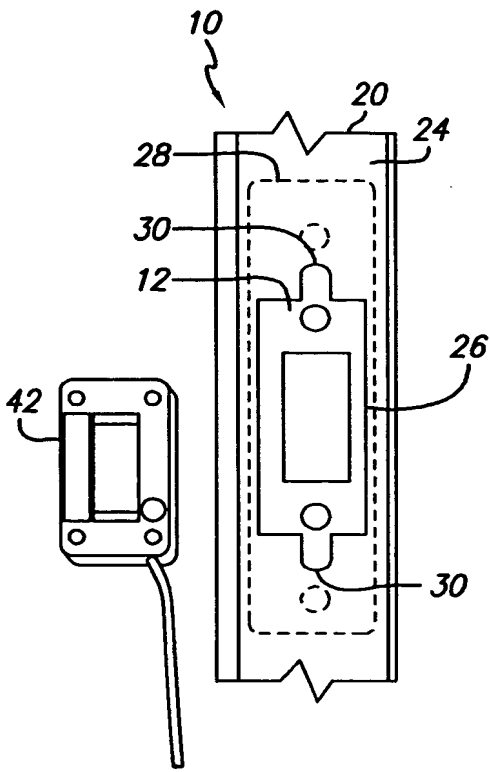


FIG. 3

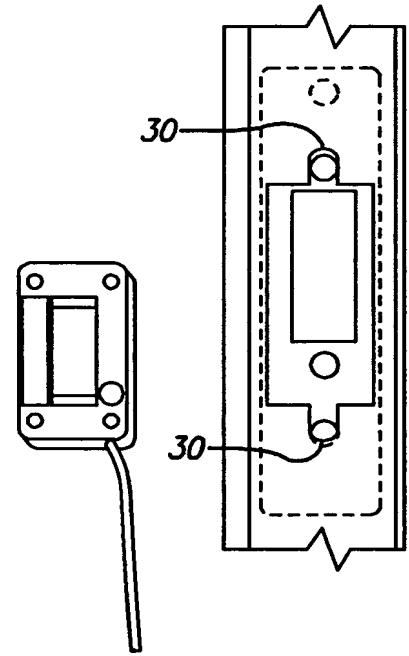


FIG. 4

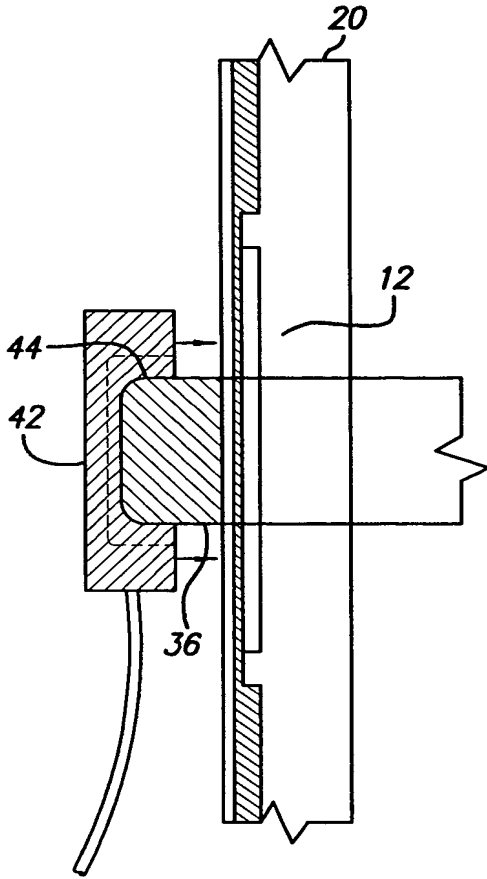
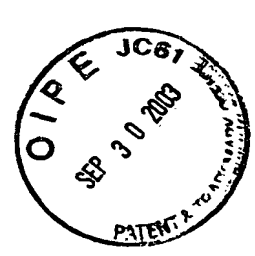


FIG. 5

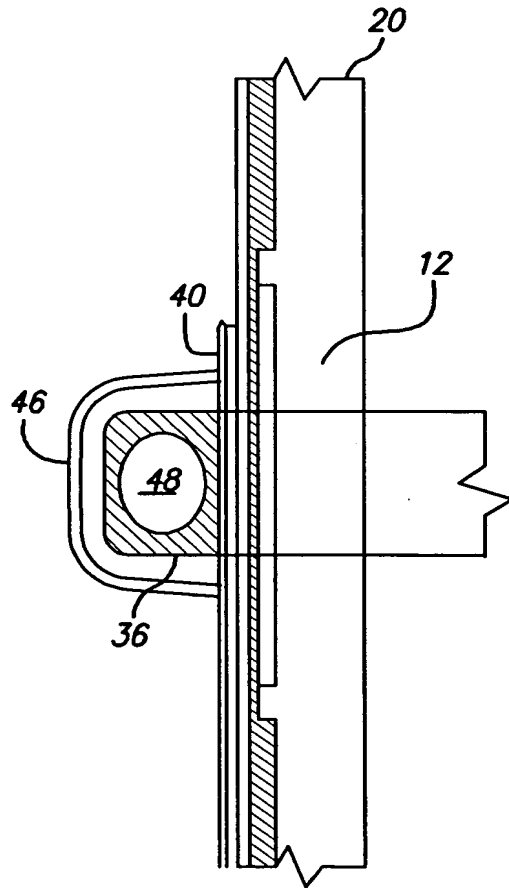


FIG. 6

App. No. 10/055,757
Reply to Office Action dated June 30, 2003
Page 2

Amendments to the Drawings:

The attached three sheets of formal drawing replace the original sheets of Figures 1-6 in this application.

Attachment: Replacement sheets